



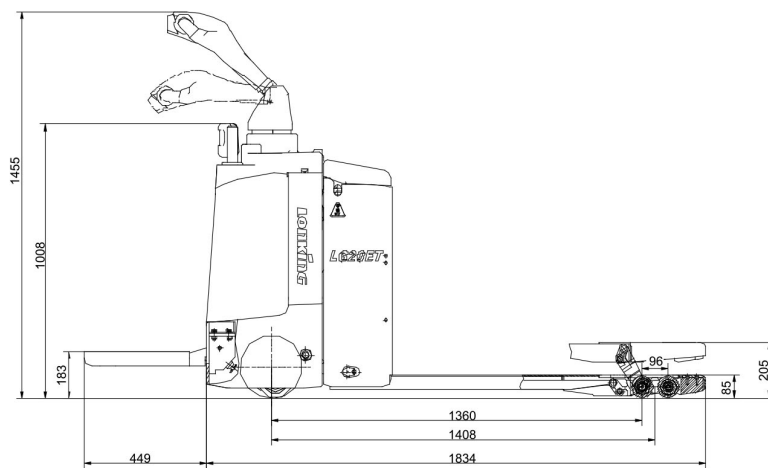
ALL FOR SHOPS AND WAREHOUSES

2000 ET Electric Pallet Truck

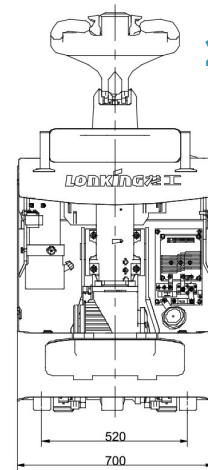


2000 ET

- BATTERY (V/Ah): 24/240
- Rated Capacity (kg): 2000
- Power Type: BATTERY



2000 ET



MODEL	2000 ET
Power type	Battery
Rated capacity (Kg)	2000
Load center (mm)	600
Wheel base (mm)	1361/1409
Tread (front)(mm)	520
Tread (rear)(mm)	370
Turning radius (mm)	1650
Traveling speed (laden/unladen)(Km/h)	6/6
Lifting speed (laden/unladen)(m/s)	42/53
Descending speed (laden/unladen)(m/s)	48/42
MAX. gradient (laden/unladen)(%)	8/16
Driving motor power (KW)	1.5
Lifting motor power (KW)	2.2
Battery capacity (V/Ah)	24/24)
Operating pressure (M/Pa)	10
Self weight	689
Ground clearance (mm)	30
Laden capacity of tyre (front/rear)(kg)	1546/1154
Unladen capacity of tyre (front/rear)(kg)	145/555



ALL FOR SHOPS AND WAREHOUSES

LATVIA

SIA "Viss Veikaliem un Noliktavām"
 41A - 224 Kandavas street, Riga, LV-1083
 Phone: +371 27727449 (latvian, english),
 +371 22074120 (latvian, russian, english),
 +371 20330002 (latvian, russian, english)
 E-mail: info@vvn.lv

www.vvn.lv

LITHUANIA

Phone: +370 70066080
 E-mail: info@vvnlt.lt
www.vvnlt.lt

NORWAY

Phone: +47 21955868
 E-mail: info@vngroup.no
www.vngroup.no

ESTONIA

Phone: +372 6346332,
 +372 6346342
 E-mail: info@vvn.ee
www.vvn.ee

DENMARK

E-mail: info@vngroup.dk
www.vngroup.dk

FINLAND

Phone: +358 753263323
 E-mail: info@vvn.fi
www.vvn.fi

RUSSIA

Phone: +7 84996092515
 E-mail: info@vngroup.ru
www.vngroup.ru

SWEDEN

Phone: +46 107502388
 E-mail: info@vngroup.se
www.vngroup.se

BELARUS

Phone: +375 84996092515
 E-mail: info@vngroup.by
www.vngroup.by